

0.8mm Height Flat Top LED

Features

- Package in 8mm tape on 7" diameter reel
- Compatible with automatic placement equipment
- Compatible with infrared and vapor phase reflow solder process
- Mono-color type
- RoHS compliance



Applications

- Automotive: Backlighting in dashboards and switch
- Telecommunication: indicator and backlighting in telephone and fax
- Flat backlight for LCD, switches and symbols



Descriptions

- The SMD series enables smaller board size, higher packing density, reduced storage space, and small equipment
- Besides, light weight makes them ideal for miniature applications
- Applications include automotive, telecommunications and backlighting

Device Selection Guide

Part No.	Chip		Lens Color
	Material	Emitted Color	
TSP1-QF1608H8A4	AlGaInP	Hyper Red	Water Clear

Absolute Maximum Ratings (Ta=25°C)

Parameter	Symbol	Value	Unit
Reverse Voltage	V_F	5	V
Forward Current	I_F	25	mA
Peak Forward Current (Duty 1/10 @1KHz)	I_{FP}	100	mA
Power Dissipation	P_d	60	mW
Electrostatic Discharge	ESD	2000	V
Soldering Temperature	T_{so}	260 (for 5 seconds)	°C
Operating Temperature	T_{opr}	-40 ~ +85	°C
Storage Temperature	T_{stg}	-40 ~ +90	°C

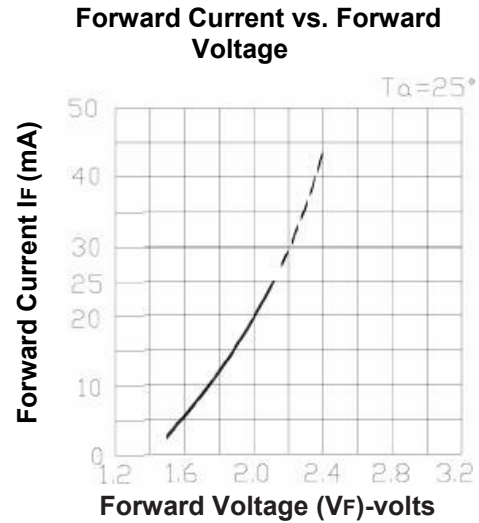
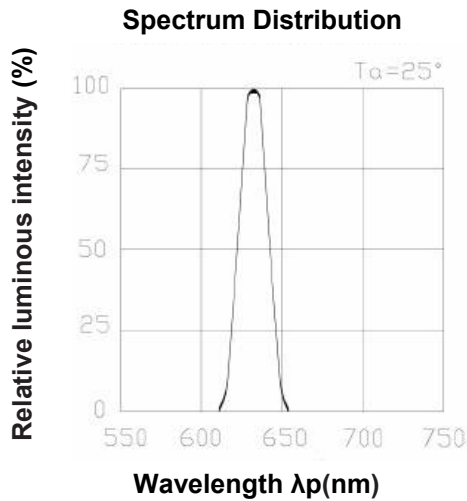
Electro-Optical Characteristics (Ta=25°C)

Parameter	Symbol	Min.	Typ.	Max.	Unit	Condition
Luminous Intensity	I_v	----	5	----	mcd	IF =2mA
		45	76	----		IF =20mA
Viewing Angle	2θ_{1/2}	----	100	----	deg	
Peak Wavelength	λ_p	----	632	----	nm	
Dominant wavelength	λ_d	----	624	----	nm	
Spectrum Radiation Bandwidth	Δλ	----	20	----	nm	
Forward Voltage	V_F	----	2.0	2.4	V	
Reverse Current	I_R	----	----	10	μA	V _R =5V

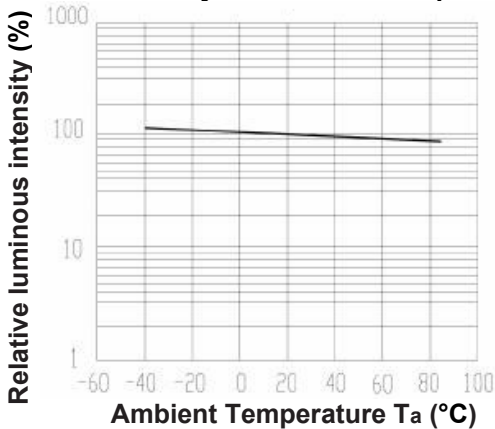
Notes:

1. Tolerance of Luminous Intensity ±10%
2. Tolerance of Dominant Wavelength ±1nm
3. Tolerance of Forward Voltage ±0.05V

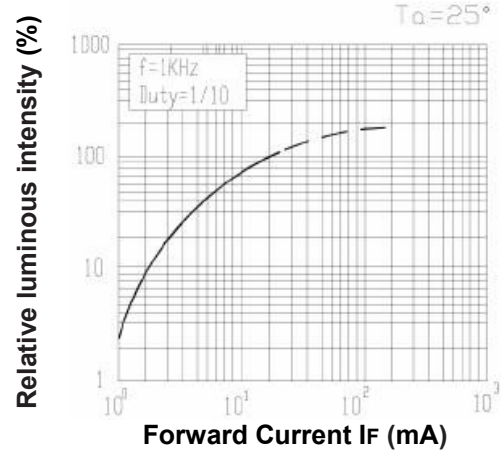
Typical Electro-Optical Characteristics Curves



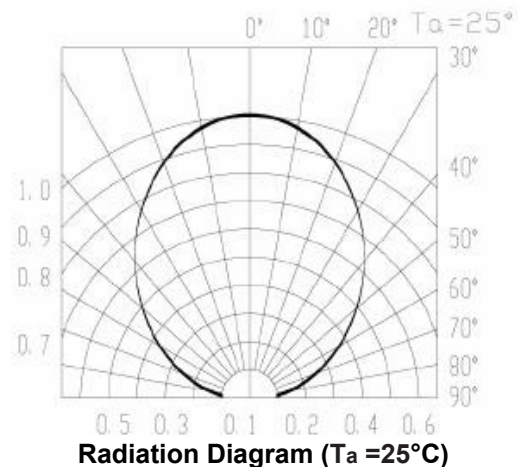
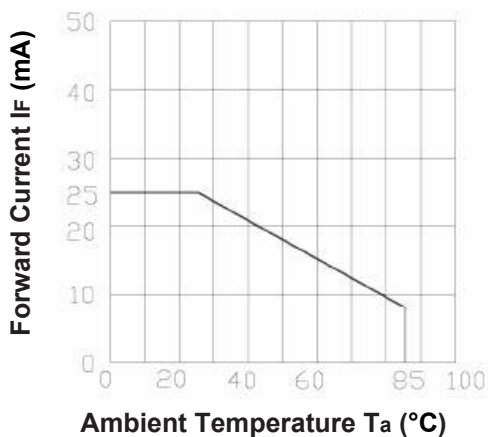
Luminous Intensity vs. Ambient Temperature



Luminous Intensity vs. Forward Current



Forward Current Derating Curve



Reliability Test Items and Conditions

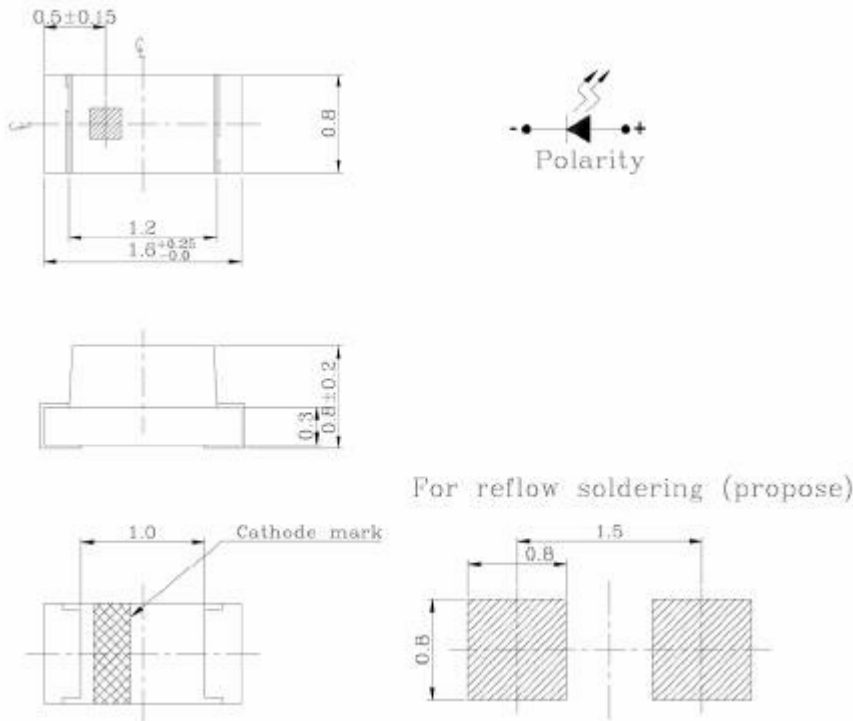
The reliability of products shall be satisfied with items listed below.

Confidence level: 90%,

LTPD: 10%

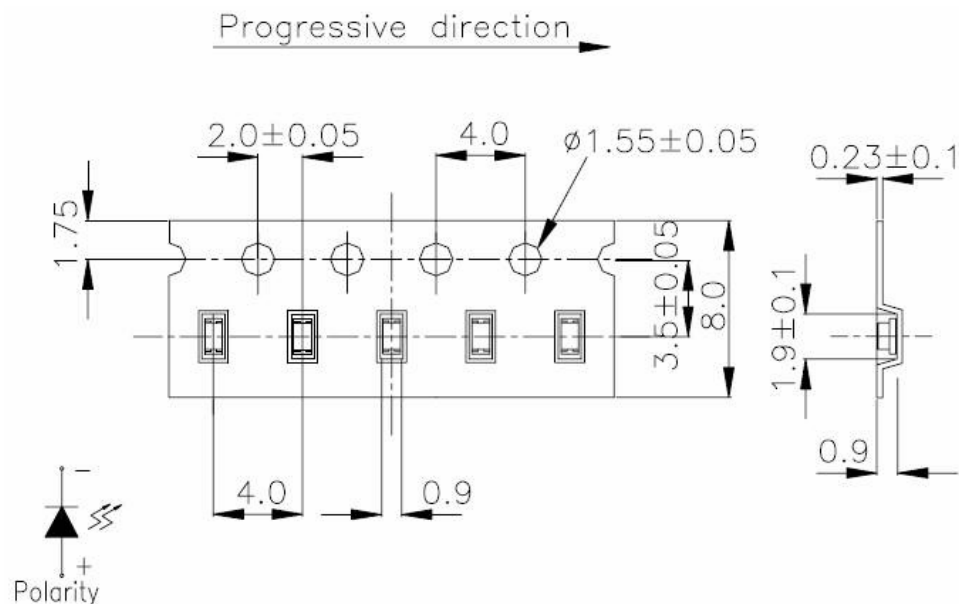
No.	Items	Test Condition	Test Hours / Cycles	Sample Size	Ac/Re
1	Solder Heat	Temp.: 260°C ±5°C.	5 Sec	76 PCS.	0/1
2	Temperature Cycle	H: +85°C 30min ↓ 5 min L: -55°C 15min	50 Cycles	76 PCS.	0/1
3	Thermal Shock	H: +100°C 5min ↓ 10 sec L: -10°C 5min	50 Cycles	76 PCS.	0/1
4	High Temperature Storage	Temp: 100°C	1000 Hrs.	76 PCS.	0/1
5	Low Temperature Storage	Temp: -40°C	1000 Hrs.	76 PCS.	0/1
6	DC Operating Life	I _F = 20 mA	1000 Hrs.	76 PCS.	0/1
7	High Temperature / High Humidity	85°C / 85%RH	1000 Hrs.	76 PCS.	0/1

Package Dimensions (In mm)

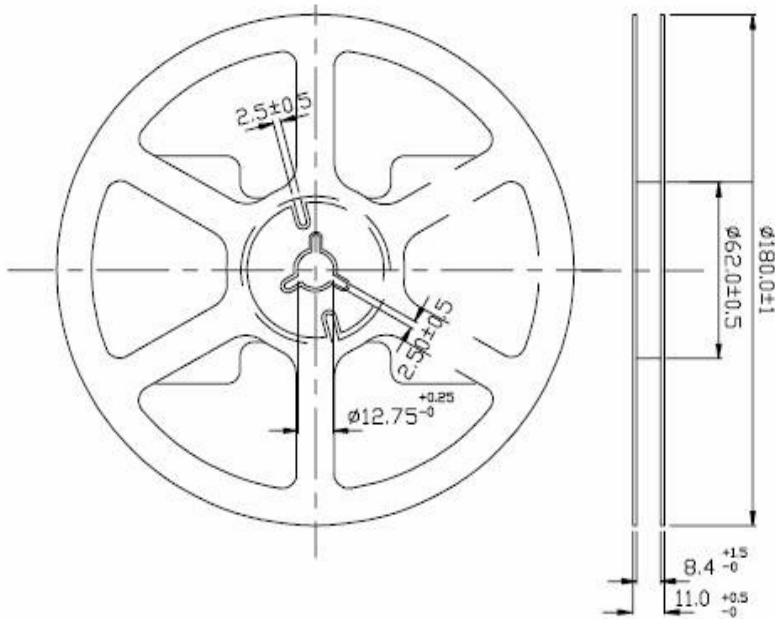


Note: The tolerances unless mentioned is ± 0.1 mm, Unit = mm

Carrier Tape Dimensions Loaded quantity 3000pcs per reel (In mm)

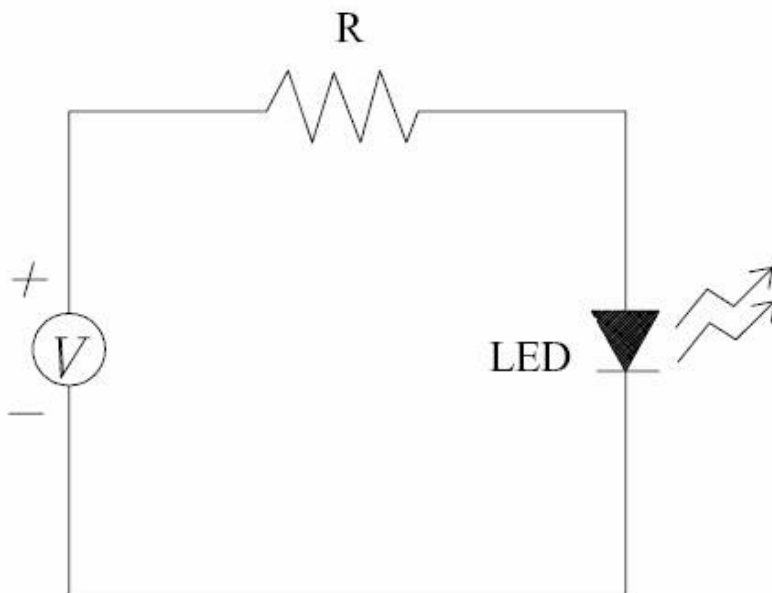


Reel Dimensions



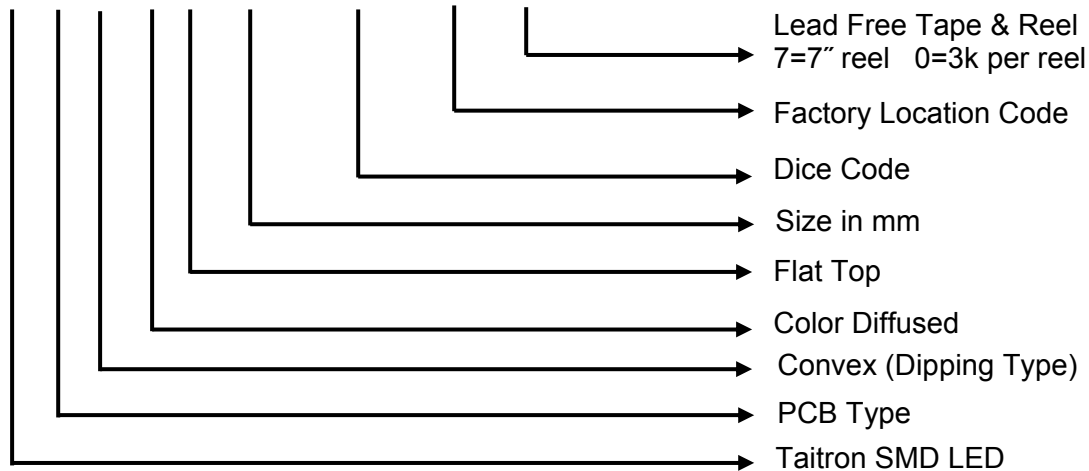
Note: The tolerances unless mentioned is ± 0.1 mm, Unit = mm

Test Circuit



Ordering Information

T S P 1 - Q F 1 6 0 8 H 8 A 4 - 9 2 - T R 7 0



How to contact us

US HEADQUARTER

28040 WEST HARRISON PARKWAY, VALENCIA, CA 91355-4162

Tel: (800) TAITRON (800) 247-2232 (661) 257-6060

Fax: (800) TAITFAX (800) 824-8329 (661) 257-6415

Email: taitron@taitroncomponents.com

Http://www.taitroncomponents.com

TAITRON COMPONENTS MEXICO, S.A .DE C.V.

BOULEVARD CENTRAL 5000 INTERIOR 5 PARQUE INDUSTRIAL ATITALAQUIA, HIDALGO

C.P. 42970 MEXICO

Tel: +52-55-5560-1519

Fax: +52-55-5560-2190

TAITRON COMPONETS INCORPORATED E REPRESENTAÇÕES DO BRASIL LTDA

RUA DOMINGOS DE MORAIS, 2777, 2.ANDAR, SALA 24 SAÚDE - SÃO PAULO-SP 04035-001

BRAZIL

Tel: +55-11-5574-7949

Fax: +55-11-5572-0052

TAITRON COMPONETS INCORPORATED, SHANGHAI REPRESENTATIVE OFFICE

CROSS REGION PLAZA, 899 LINLING ROAD, SUITE 18C, SHANGHAI, 200030, CHINA

Tel: +86-21-54249942

Fax: +86-21-5424-9931